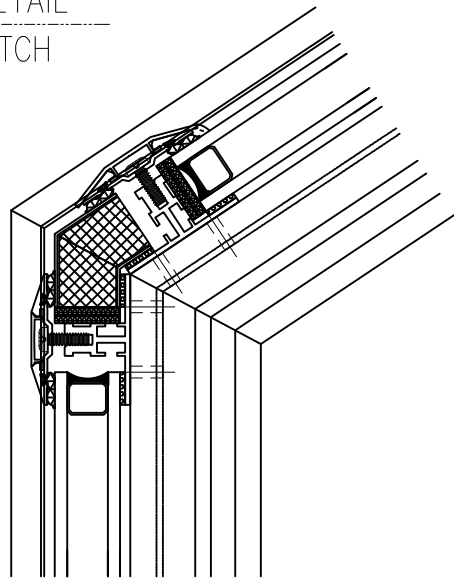
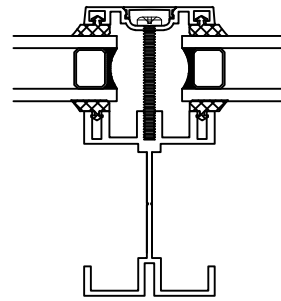
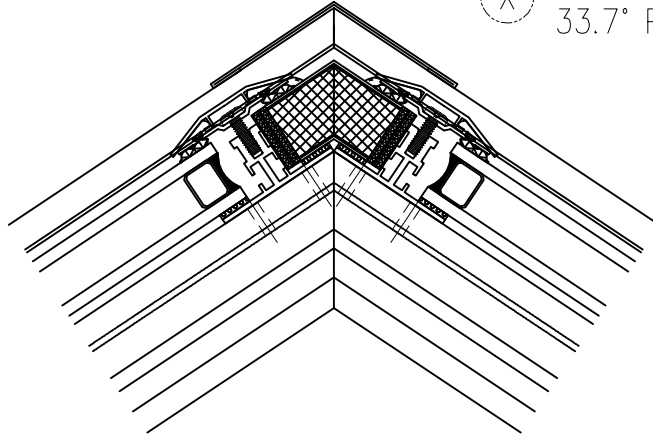


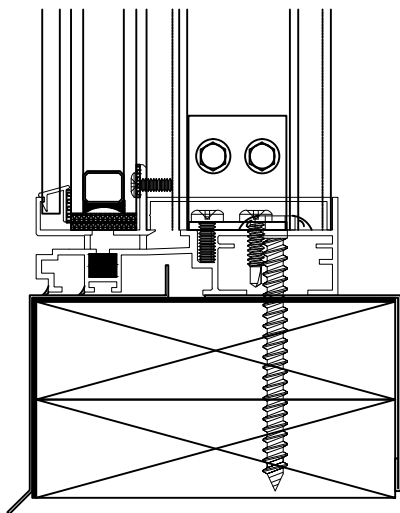
(X) EAVE DETAIL
33.7° PITCH



(X) RIDGE DETAIL
33.7° PITCH



(X) REGULAR I-BEAM
RAFTER DETAIL



(X) REGULAR SILL
DETAIL

DETAIL NAME:	I-BEAM STRUCTURE
BLOCK NAME:	
APPROVED BY:	APPROVAL DATE:
DRAWN BY: AJM	REVISED BY:
DRAWING DATE:	REVISION DATE: