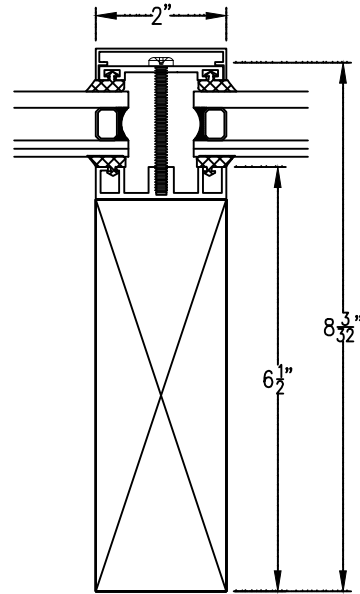


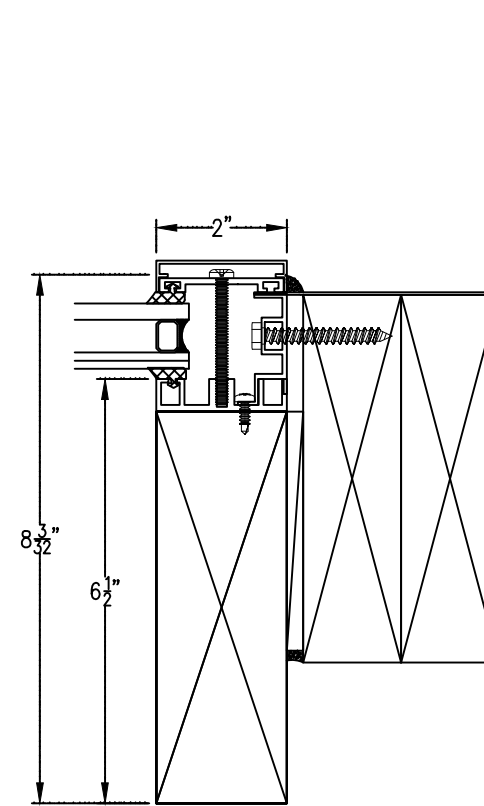
SECTION VIEW ON SLOPE
2" FLEXIBLE GLAZING SYSTEM ON
TOP OF SLOPED RAFTER (BY
OTHER) AT GABLE END

S5201



SECTION VIEW ON SLOPE
2" FLEXIBLE GLAZING SYSTEM ON TOP OF
SLOPED RAFTER (BY OTHER)

S5202



SECTION VIEW ON SLOPE
2" FLEXIBLE GLAZING SYSTEM ON
TOP OF SLOPED RAFTER (BY
OTHER) AT ENDWALL

S5203

DETAIL NAME: 2" FLEXIBLE GLAZING SYSTEM

BLOCK NAME:

APPROVED BY:

APPROVAL DATE:

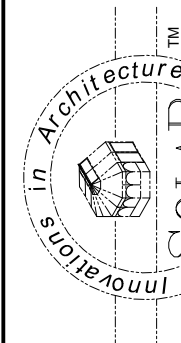
DRAWN BY:

AJM REVISED BY:

DRAWING DATE:

REVISION DATE:

"© Copyright 2012 Solar Innovations, Inc. All Rights Reserved. These drawings are applicable only to the product specified herein, are the exclusive sole property of Solar Innovations, Inc., and are considered both confidential and proprietary. Any use of the information, design or drawings contained herein for any purpose whatsoever without the expressed written consent of a Solar Innovations, Inc. authorized individual is forbidden."



**SOLAR
INNOVATIONS**

31 Roberts Road
Pine Grove, PA 17963
800-618-0669
www.solarinnovations.com