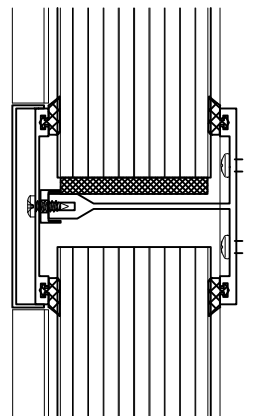


H4301

"EXTERIOR"

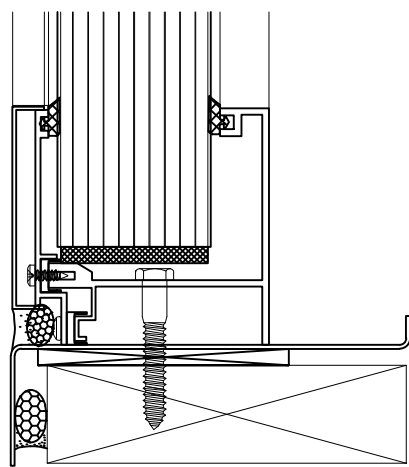
"INTERIOR"



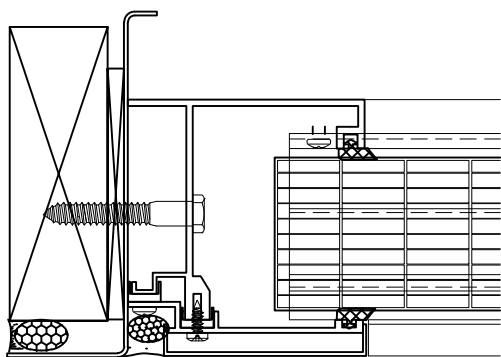
H4302

"EXTERIOR"

"INTERIOR"

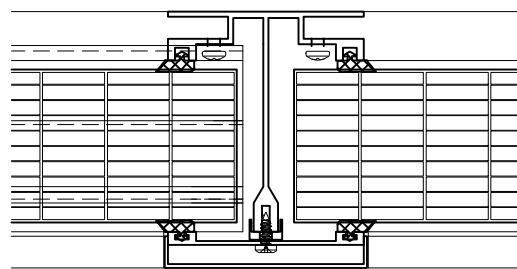


H4303



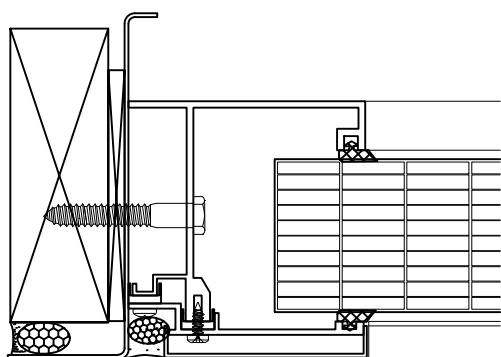
V4301

"INTERIOR"



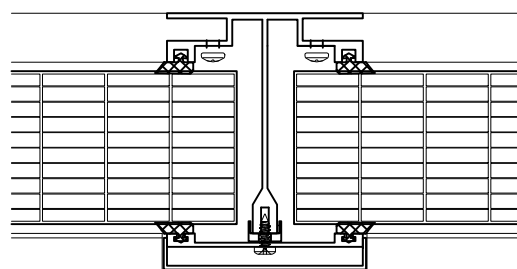
V4302

"EXTERIOR"



V4303

"INTERIOR"



V4304

"EXTERIOR"

DETAIL NAME:	VERTICAL POLYWALL
BLOCK NAME:	
APPROVED BY:	APPROVAL DATE:
DRAWN BY:	AJM REVISED BY:
DRAWING DATE:	REVISION DATE: