

SI4308 thermally enhanced aluminum poly wall vertical day-lighting system is designed for use in commercial and residential applications. The 60 mm thick (2 3/8") 10 wall polycarbonate panel infill provides exceptional thermal and structural performance, while allowing diffused light to fill the space without unwanted glare. The perfect choice for curtain walls, storefronts, and clerestory applications.

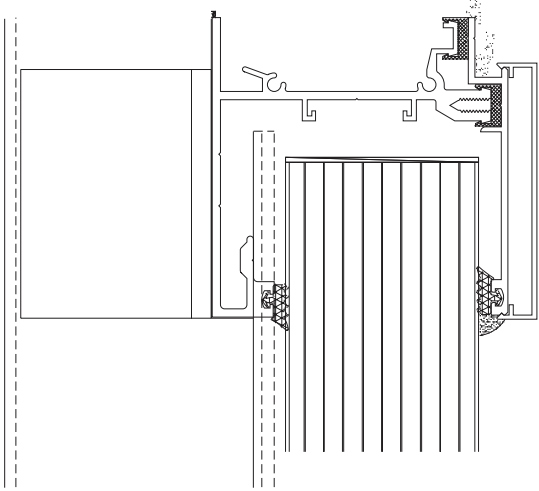
Features:

- Thermally enhanced aluminum profiles
- 60 mm, 10 wall polycarbonate panel in-fill
- Standard polycarbonate colors selections: clear and opal
- Maximum panel height: 8' 3"
- Maximum panel width: 4'
- R-value range from 8 to 13
- Large missile impact tested
- Standard finishes AAMA 2603
 - Duracron: Hartford Green, Bronze, Black, Natural Clay, White, Sandstone
- LEED friendly system including recycled content
- Designed and manufactured in the U.S.A.

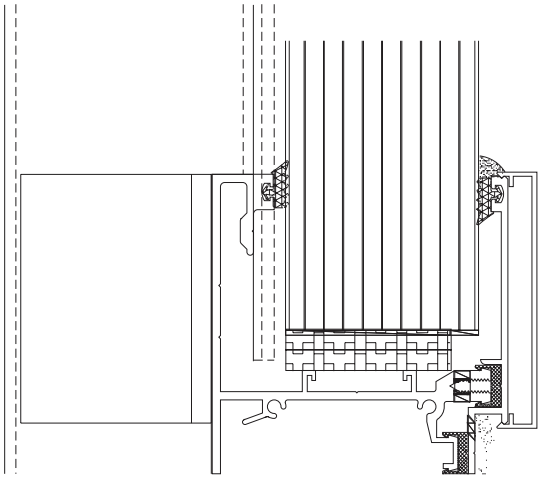
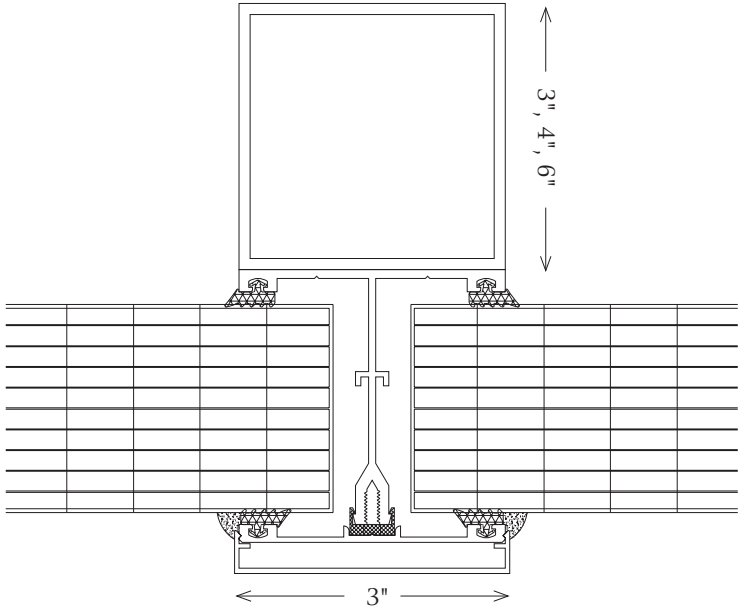
Options:

- Custom finishes
 - Class I anodized: Dark Bronze, Clear
 - Powder coat finish: AAMA 2604-2605
 - Fluoropolymer (50% or 70%): AAMA 2604-2605
 - Cladding options
 - Dual color or dual finish options
- Lumira infill for improved U-value

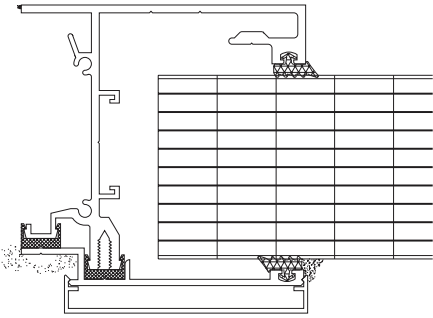
Head and Sill



Wall Intermediary



Jamb



Performance						
Panel Size	NCTL Test #	Impact	DP (psf)	Air (@ 1.6psf)	Water (@ 5.0psf)	Thermal (BTU)
99" x 99"	110-12568-2	Large Missile Impact	± 60	.01	15.0	.33

Testing and performance results may vary depending upon sill and hardware selections.
 Please be sure to visit our website for additional product information.
www.solarinnovations.com

