



SI6400 series operable skylights can be used in commercial and residential applications, as an insert into a structure, or as curb mount operable skylights in conventional roofing. Weather-tight continuous hinge design provides ventilation to any Solar Innovation structure or conventional roof construction.

## Features:

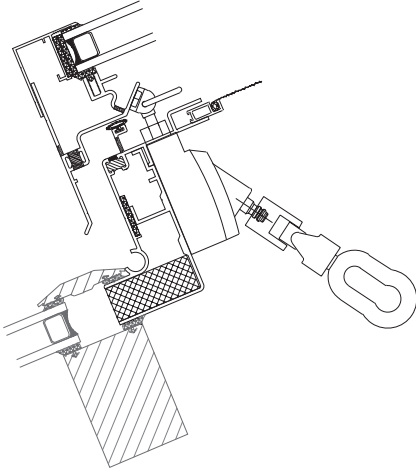
- Thermally enhanced aluminum profiles
- Continuous Hinge
- Glazing in-fills from 3/16" to 1 1/8"
- Standard finishes
  - Duracron: Hartford Green, Bronze, Black, Natural Clay, White, Sandstone
- Minimum pitch 2/12 depending upon engineering
- Maximum size
  - 4' x 8' single bay
  - 4-bays at 4' x 16'
- Maximum opening 18"
- Mesh insect screen
- Motorized or manual operation

## Options:

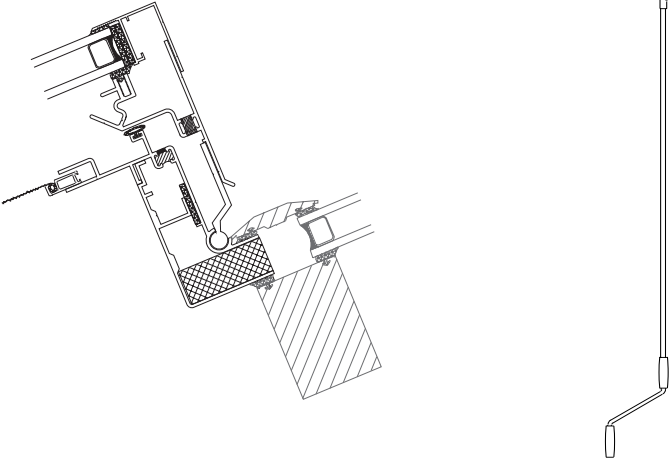
- Integrated features
  - Rain sensors
  - Wireless remote control
    - Up to 99 units from one remote
  - Manual or motorized operation possible
  - Manual operation to maximum height of 12'
- Custom finishes
  - Class I anodized: Dark Bronze, Clear
  - Powder coat finish: AAMA 2604-05
  - Fluoropolymer: 50% or 70%
  - Wood and metal cladding



Angled Condition



Pole Operator



Flat Condition

