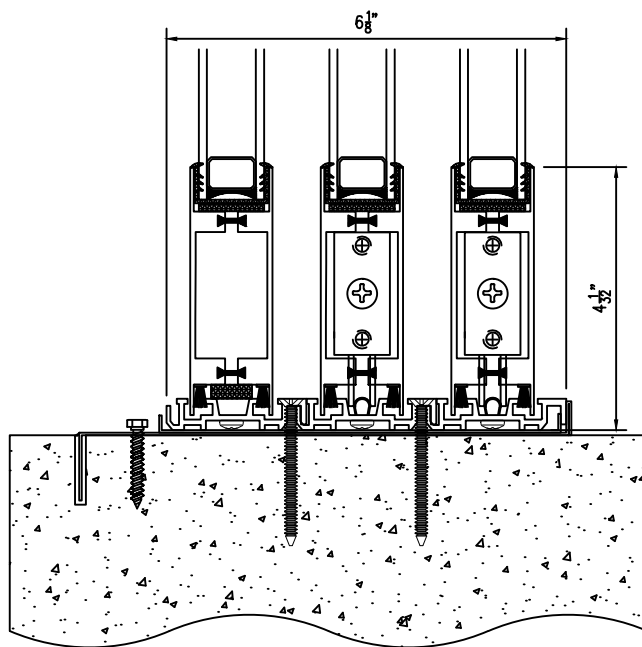


MULTI-TRACK SLIDING WINDOW HEAD
H8201

"EXTERIOR"

"INTERIOR"

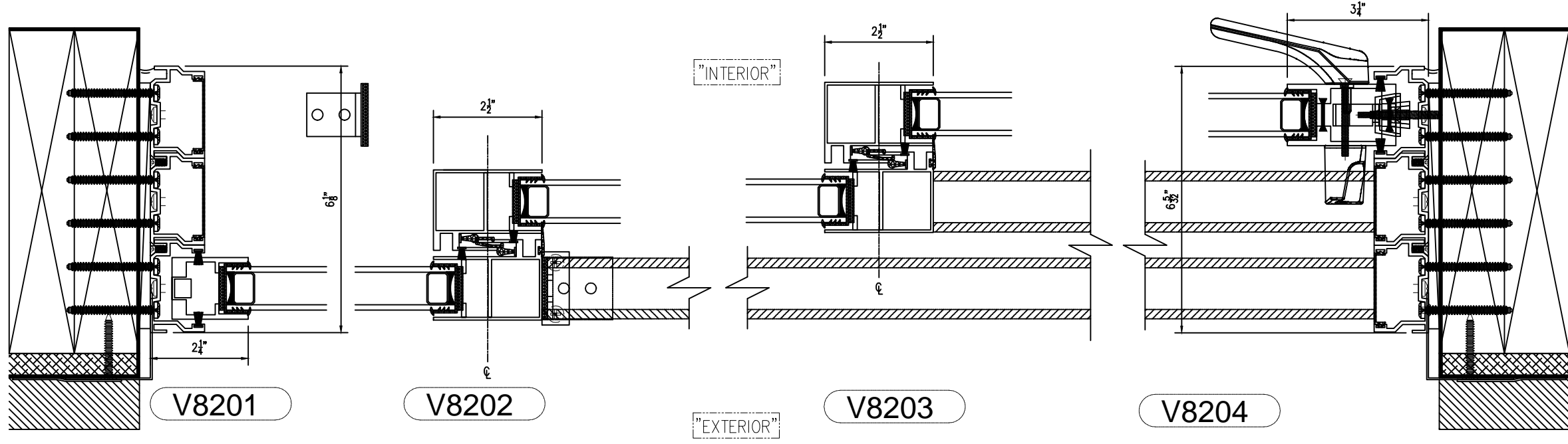


HIGH PERFORMANCE MULTI-TRACK SLIDING WINDOW SILL
H8202



DETAIL NAME:	SLIDING – MULTI TRACK
BLOCK NAME:	
APPROVED BY:	APPROVAL DATE:
DRAWN BY:	AJM REVISION DATE:
DRAWING DATE:	REVISION DATE:

"© Copyright 2012 Solar Innovations, Inc. All Rights Reserved. These drawings are applicable only to the product specified herein, are the exclusive sole property of Solar Innovations, Inc., and are considered both confidential and proprietary. Any use of the information, design or drawings contained herein for any purpose whatsoever without the expressed written consent of a Solar Innovations, Inc. authorized individual is forbidden."



DETAIL NAME: SLIDING – MULTI TRACK

BLOCK NAME:

APPROVED BY:

APPROVAL DATE:

DRAWN BY:

AJM REVISED BY:

DRAWING DATE:

REVISION DATE:



SOLAR INNOVATIONS

31 Roberts Road
Pine Grove, PA 17963
800-618-0669
www.solarinnovations.com

"© Copyright 2012 Solar Innovations, Inc. All Rights Reserved. These drawings are applicable only to the product specified herein, are the exclusive sole property of Solar Innovations, Inc., and are considered both confidential and proprietary. Any use of the information, design or drawings contained herein for any purpose whatsoever without the expressed written consent of a Solar Innovations, Inc. authorized individual is forbidden."