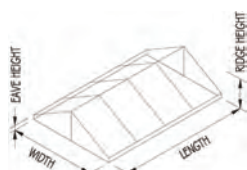


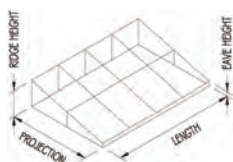
# Impact Variable Pitch Welded Curb Skylights **SI5600HP**



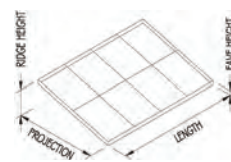
SI5600 thermally enhanced “variable pitch” aluminum welded curb skylight system is designed for use in commercial and residential impact applications. The welded curb design provides a weather-tight, self-flashing curb for simplified installation onto a structural curb provided “by others”. For projects outside the tested scopes, a one-time engineering evaluation may be applicable.



Straight Eave, Double Pitch



Straight Eave, Lean-to



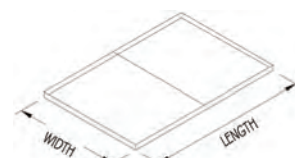
Single Slope



Pyramid



Hip End



Flat

## Features:

- Approved for use in HVHZ - FL# 11259.1
- Thermally-enhanced aluminum welded curb
- Self-flashing curb with fasteners on the vertical face, for added water protection
- 2- or 3-tiered drainage system with concealed interior condensation gutters.
- Accommodates insulated and monolithic impact glazing infills
- Standard finishes: AAMA 2603
  - Duracron: Hartford Green, Bronze, Black, Natural Clay, White, Sandstone
- LEED friendly system including recycled content
- Designed and manufactured in the U.S.A.

## Options:

- Aluminum or wood rafters and purlins
- Custom finishes
  - Class I anodized: Dark Bronze, Clear
  - Powder coat finish: AAMA 2604-2605
  - Fluoropolymer (50% or 70%): AAMA 2604-2605
  - Cladding options
- Condensation gutter available
- Designed to accommodate almost any impact monolithic, insulated, laminated, or decorative infill
- Delivery options: modular; pre-assembled, pre-glazed; pre-assembled, not pre-glazed; knocked down.

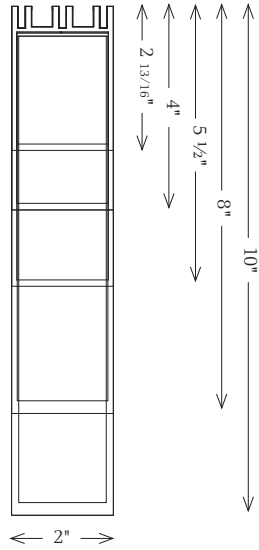


# SI5600HP

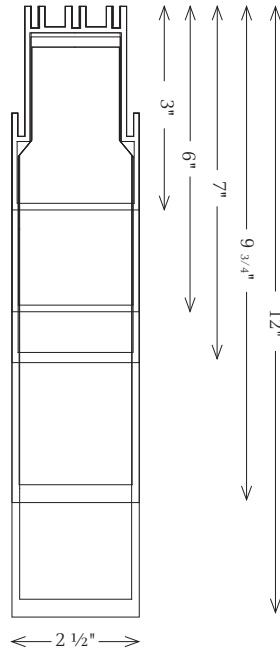
# Impact Variable Pitch Welded Curb Skylights

Last Revised on: 3/23/2015

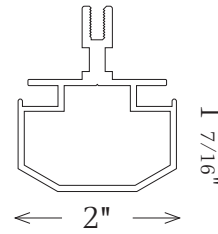
G2 SI5200



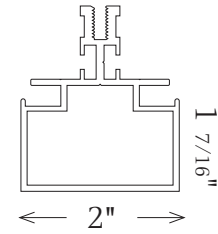
SI5250



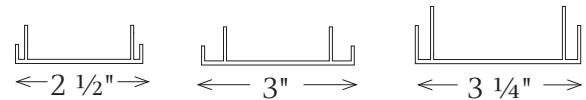
Beveled Muntin



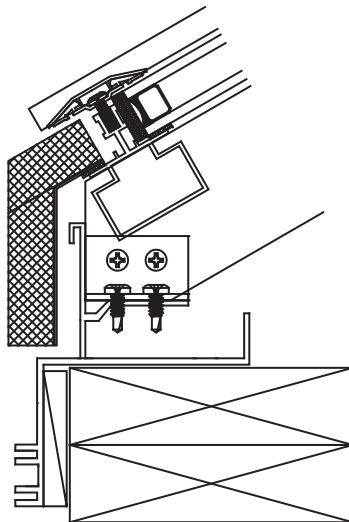
Boxed Muntin



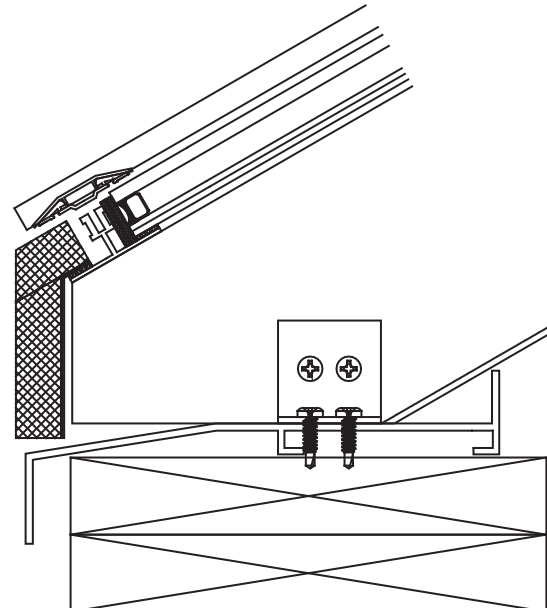
Condensation Gutter Options



G3 Variable Pitch Welded Curb Sill



Pan Flashing Sill



\* Clip location and size dependent on final engineering. Clips are shown for reference only.

Size	Sill	FL Product #	Test #	DP (psf)	Air (@ 6.24psf)	Water (psf)
147 3/4" H x 99 1/4" W	G3 Variable Pitch Welded Curb	Impact FL#11259.1	NCTL-110-15867-2	± 65	.24 cfm/ft <sup>2</sup>	30.0

\* Welded curb can accept 4" maximum rafter depth.  
 Testing and performance results may vary depending upon sill and configuration selections.  
 Please be sure to visit our website for additional product information.

[www.solarinnovations.com](http://www.solarinnovations.com)

