



Series SI7700HP thermally enhanced, Impact G2 International Window System is suitable for commercial and residential impact applications. Out-swing casements, awnings, and fixed windows all feature consistent sightlines. For projects outside the tested scopes, a one-time engineering evaluation may be applicable.

Features:

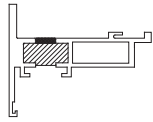
- Florida impact approved product; FL17265, FL17266, and FL17267
- Thermally enhanced utilizing thermal fill and debridge
- 2 5/8" frame depth
- Integrated window operations
 - Awning
 - Out-swing Casement
 - Fixed
- Accommodates 1" impact glazing infills
- Standard finishes: AAMA 2603
 - Duracron: Bronze, White, Hartford Green, Black, Natural Clay, Sandstone
- LEED friendly system including recycled content
- Designed and Manufactured in the U.S.A.

Options:

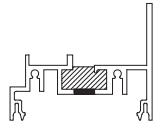
- Hardware options (cam lock, crank out handle)
 - Keyed lock
 - Heavy saltwater resistant finishes
- Custom finishes
 - Class I Anodized: Dark Bronze, Clear
 - Powder coat finish: AAMA 2604-2605
 - Fluoropolymer (50% or 70%): AAMA 2604-2605
 - Wood and metal cladding
- Large missile impact tested
- Fixed mesh insect screen available



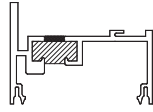
Out-swing Sash



Head/Jamb/
Out-swing Sill



Fixed Frame



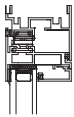
Glazing Flange



Glazing Bead



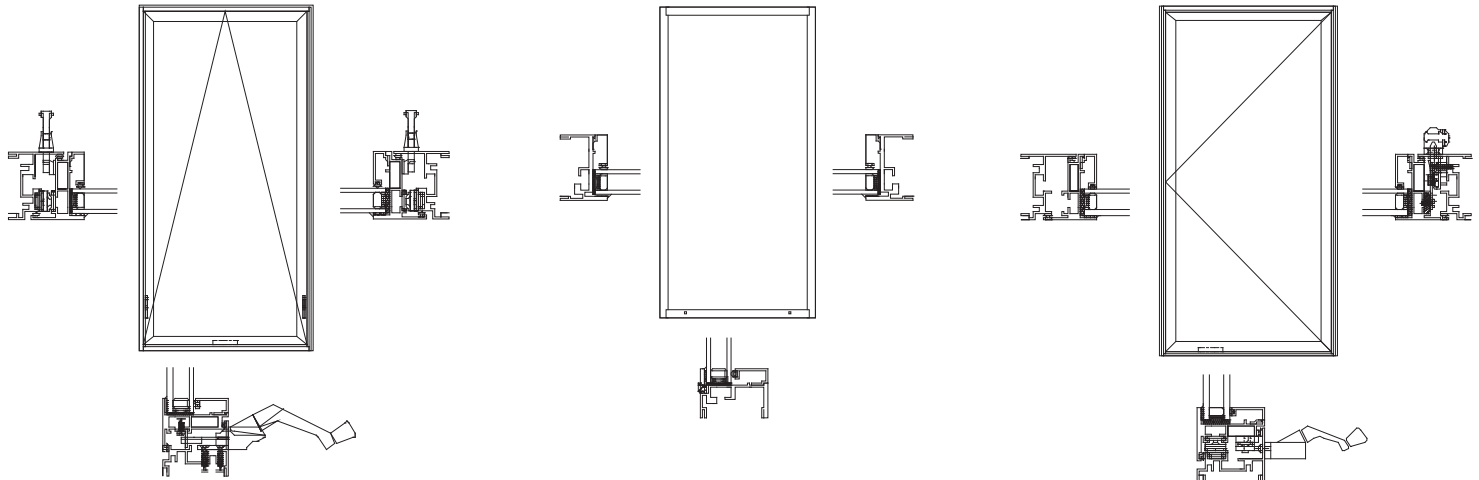
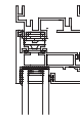
Awning



Fixed



Out-swing Casement



Air and Structure Impact Testing
<i>Tested</i>
Panel Height: 72"
Panel Width: 36"
Air Infiltration at 1.57 PSF (25MPH) = .1 L/s/m²
Air Infiltration at 6.24PSF (50MPH) = .01 L/s/m²
Water Penetration(Awning and Casement): 12 PSF
Water Penetration(Fixed): 15 PSF
Design Pressure: +/- 65 PSF
Uniform Load Structural Test: +/- 65 PSF
Overload: +/- 97.5 PSF

System U-Values			
	Size	Glass Make-Up	
		LoE 272/ Clear	LoE 366/LoE 272/ LoE i89
SI7700 Awning	72" H x 36" W	0.423	0.341
SI7700 Fixed	72" H x 36" W	0.355	0.264
SI7700 Hopper	72" H x 36" W	0.421	0.339
SI7700 Casement	72" H x 36" W	0.423	0.341

For projects outside the tested scopes, a one-time engineering evaluation may be applicable. Testing and performance results may vary depending upon sill and hardware selections. Please be sure to visit our website for additional product information.

www.solarinnovations.com