

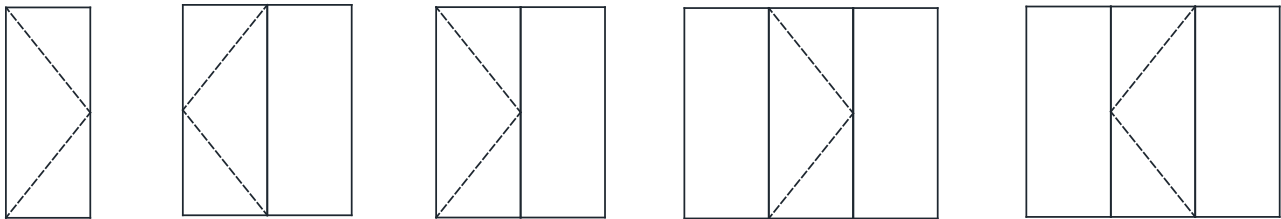
Impact Modular Terrace Door

Standard G2 Modular Framing

SI2250HP



SI2250HP thermally-broken aluminum, impact modular terrace door is designed for use in heavy duty commercial and residential applications. Side hinged, out-swing, single door equipped with multi-point terrace door hardware. Mulling profiles allow modular construction and the seamless integration of transoms and sidelites. For projects outside the tested scopes, a one-time engineering evaluation may be applicable.



Additional configurations available

Features:

- 2 1/4" frame depth
- Thermally enhanced utilizing thermal strut
- Single, out-swing
- Sloped, pressure equalized sills for enhanced performance
- Accommodates insulated impact glazing
- Standard hardware options
- Multi-point locking hardware for added security
- Aluminum semi-concealed hinge extrusions with Stainless Steel hinge pins
- Standard finishes: AAMA 2603
 - Duracron: Hartford Green, Bronze, Black, Natural Clay, White, Sandstone
- Maximum size dependent upon engineering requirements

Options:

- Fixed sidelites and transoms
- Variety of handle set styles and finishes
- Concealed hold open device
- Custom finishes
 - Class I anodized: Dark Bronze, Clear
 - Powder coat finish: AAMA 2604-2605
 - Fluoropolymer (50% or 70%): AAMA 2604-2605
 - Veneer and cladding options
 - Dual color or dual finish options
- Large missile impact tested
- Door limiters and door closers
- SDLs and decorative interior/exterior grid options
- Designed to accommodate almost any impact insulated, laminated, or decorative infill



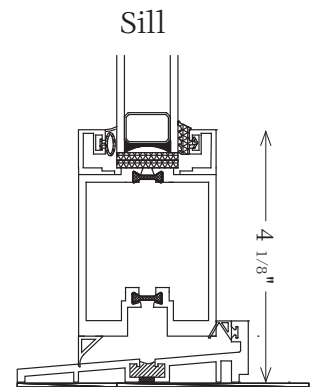
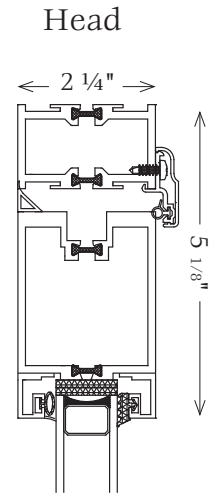
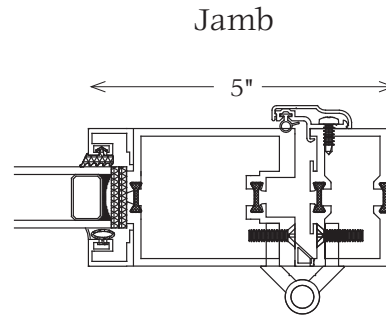
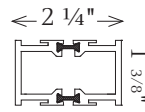
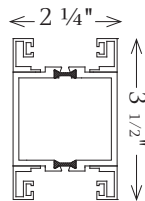
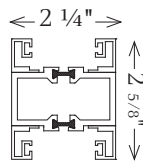
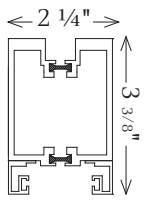
SI250HP

Impact Modular Terrace Door

Standard G2 Modular Framing

Last Revised on: 3/23/2015

Standard Door Frame Narrow Mullion Standard Mullion Wide Mullion Perimeter Frame



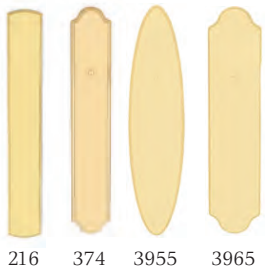
Air and Structure Impact Testing	
<i>Tested</i>	
Panel Height: 96"	
Panel Width: 36"	
Air Infiltration at 1.57 PSF (25MPH) = .12 L/s/m²	
Air Infiltration at 6.24PSF (50MPH) = .26 L/s/m²	
Water Penetration: 6 PSF	
Design Pressure: +/- 50 PSF	
Uniform Load Structural Test: +/- 50 PSF	
Overload: +/- 75 PSF	
Impact and Cycling: +/- 50 PSF	

Impact use available utilizing engineering evaluations of the completed tests

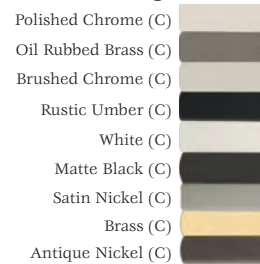
Coastal Applications

Brass Handle Options

Back Plate Options



Color Options



(C) = Heavy Saltwater Resistant Finishes

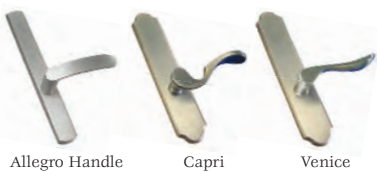
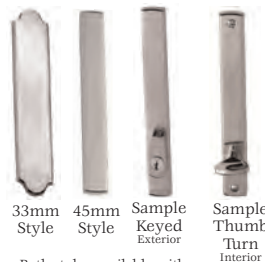
Adjustable Door Catch



Inland Applications

Solid Brass Handle Options

Back Plate Options

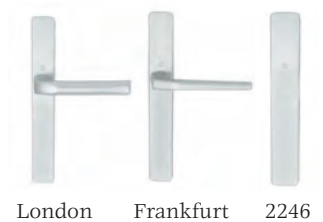


Color Options



Not available for doors exceeding 2 1/2" thickness
Brass handles can be used with either the 46mm or the 30mm style back plates.

Aluminum Options



Color Options



Both styles available with:
46 - Thumb - Interior
Lever - Exterior
10 - Lever - Interior
Lever - Exterior
92 - Thumb - Interior
Keyed Exterior

Please Note: All hardware is subject to vendor availability. Solar Innovations, Inc. reserves the right to discontinue any hardware option at any time.

Please consult www.solarinnovations.com for additional testing information.

