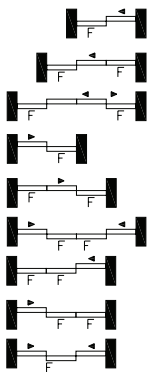


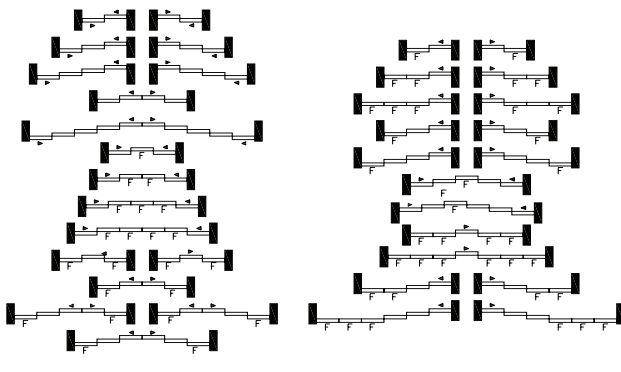


Solar Innovations SI3000SL Sliding Clear Wall maximizes transparency for stadium suites, balcony enclosures, interior operable partitions, wind blocks, etc. The greatest advantage of a sliding clear glass wall is creating a seamless siteline. Aluminum profiles capture the head and sill, while the vertical edges of the glass remain free. When the doors are open, they can be neatly stacked, or pocketed away in a remote location. Special gaskets can be used to provide a minimal level of air and water performance upon request.

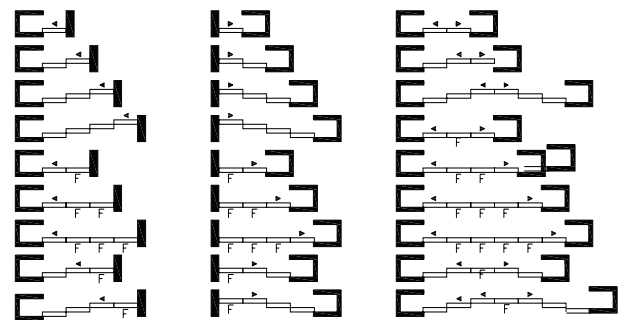
Dual Track



Multi-Track



Multi-Track Pockets



Features:

- Over sized interior units possible
- Accommodates monolithic glazing infills: 1/4"; 1/2"
- Performance dependent upon sill, head, and vertical edge seal choice.
- Standard finishes: AAMA 2603
 - Duracron: Hartford Green, Bronze, Black, Natural Clay, White, Sandstone
- LEED friendly system including recycled content
- Designed and manufactured in the U.S.A.

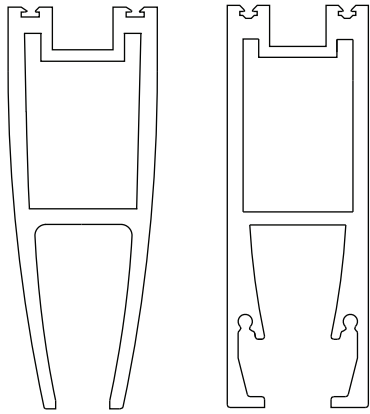
Options:

- Multiple sill options
- Clear Wall, Mono Seal, or Dual Seal
- Custom Tinted and Decorative Glazing Available
- Unlimited Configurations
- Custom Hardware
- Custom finishes
 - Class I anodized: Dark Bronze, Clear
 - Powder coat finish: AAMA 2604-05
 - Fluoropolymer (50% or 70%): AAMA 2604-2605
 - Veneer & cladding options
 - Dual color or dual finish options

SI3000SL is recommended for interior applications to achieve max use. It is not recommended in applications that require a level of air and water



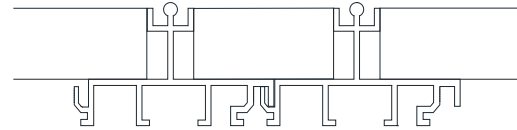
Head & Bottom Rail Options



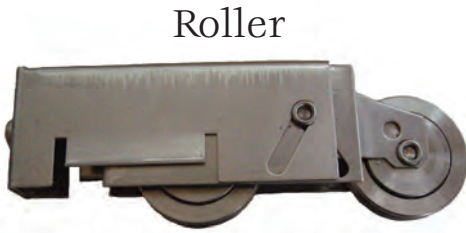
Low Profile Sill



Tile Sill



Hardware & Lock Options



Roller

1 13/16" Roller
(Approximate Size)
Precision bearings

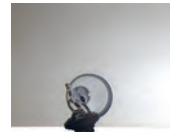


6681

Standard Length: 15 3/4"
Custom Sizes Available



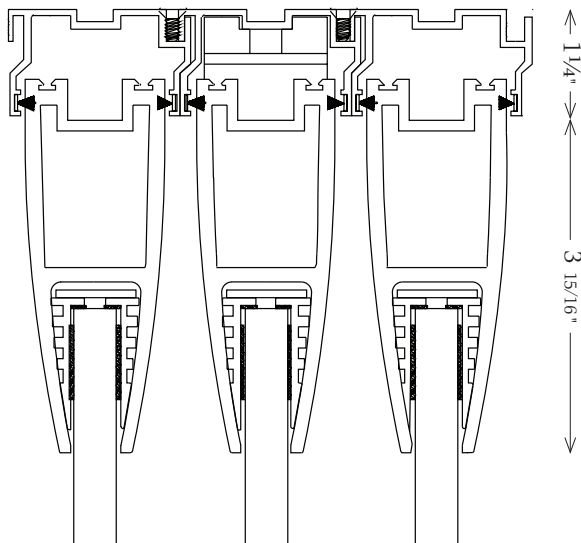
Two Point
Thumb Turn Lock



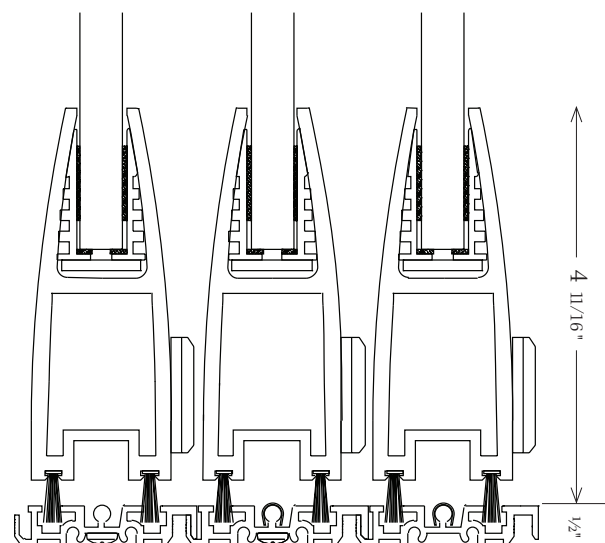
MS Lock Option

Additional hardware options available. Please contact a Solar Innovations, Inc.'s Sales Representative for more information. Please Note: All hardware is subject to vendor availability. Solar Innovations, Inc. reserves the right to discontinue any hardware option at any time.

Head



Sill



Please Note: All hardware options are subject to vendor availability.
Solar Innovations, Inc. reserves the right to discontinue any hardware option at any time.
Please consult www.solarinnovations.com for testing information.

