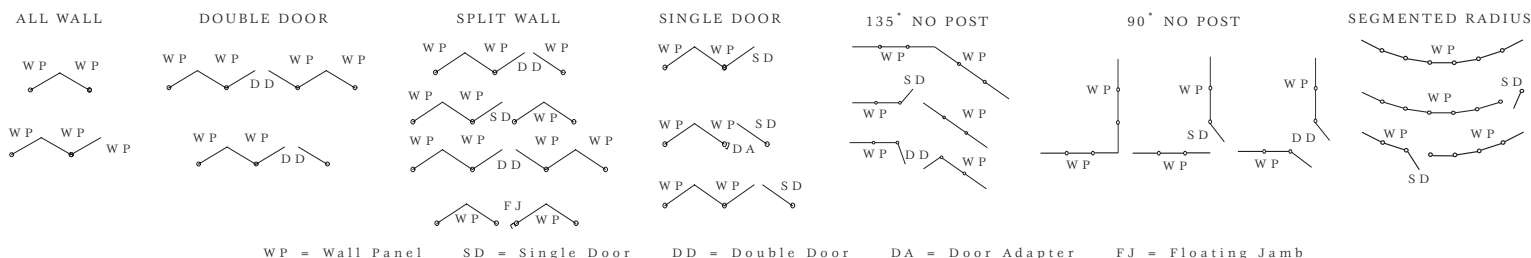




Series SI3000 Marine glazed folding glass walls provide end users with the ability to achieve narrow vertical sight lines, while maintaining the structural integrity of standard, stop glazed doors. This unique combination of marine and stop glazed folding glass wall construction allows end users the ability to achieve the narrowest site lines in the industry based on performance and size capabilities.



## Features:

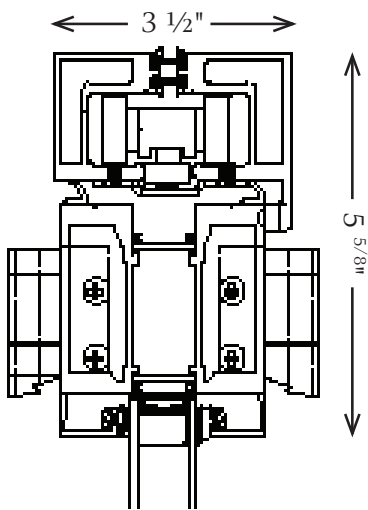
- Water performance, up to 13 psf, depending upon sill choice
- Thermally enhanced utilizing thermal strut
- Operable hardware custom manufactured by Solar Innovations, Inc.
- Zero-maintenance extruded aluminum hinge with Stainless Steel pin
- Roller assemblies designed to minimize and simplify panel maintenance
- Multiple hardware finishes
- Accommodates monolithic and insulated glazing infills from 1" to 1 1/8"
- Standard baked enamel finishes: AAMA 2603
  - Duracron: Bronze and White
- Top or bottom load, in-swing or out-swing operation
- LEED friendly system including recycled content
- Designed and manufactured in the U.S.A.

## Options:

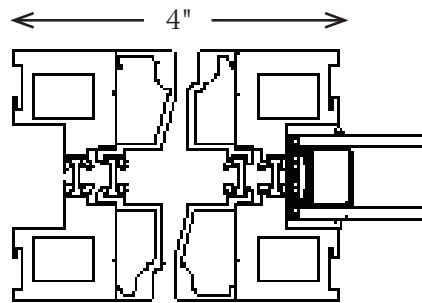
- Matching fixed transoms and sidelites
- Integrated swing doors: single or double
- Integrated Dutch doors: single or double
- Custom finishes
  - Class I anodized: Dark Bronze, Clear
  - Powder coat finish: AAMA 2604-2605
  - Fluoropolymer (50% or 70%): AAMA 2604-2605
  - Veneer and cladding options
  - Dual color or dual finish options
- Decorative interior and exterior grids
- Screen options: folding, sliding, retractable
- Multiple sill designs, including ADA compliant ramps
- Factory installed sill drain tubes, if required
- Designed to accommodate almost any insulated, laminated, decorative, polycarbonate, or solid panel infill



### Horizontal Members Head Sill



### Unhinged Jamb



### Hinge Options



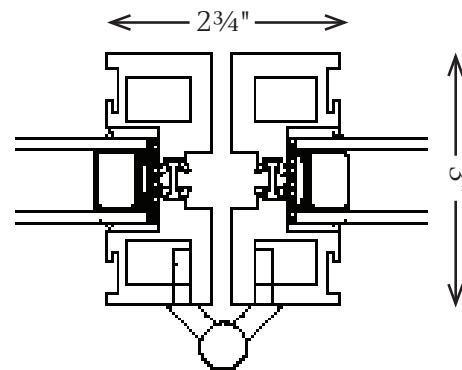
Semi-concealed Hinge

Wire Pull Hinge

#### Hinge Finish Options:

Clear Anodized, Dark Bronze Anodized, Black, Bronze, Natural Clay, White, or Sandstone  
**Custom Colors Available\***

### Hinged Panels



### Lock Options



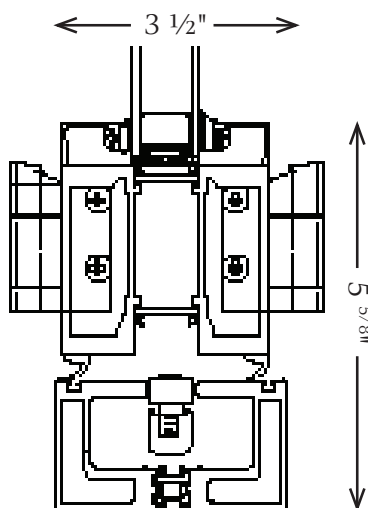
Standard Flush Bolt

Deep Pocket Flush Bolt

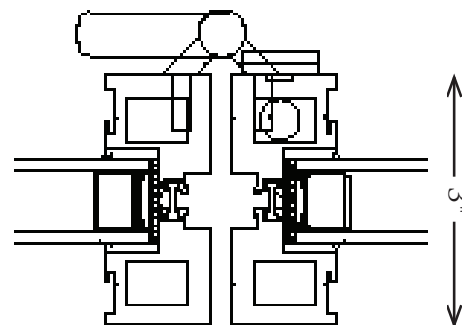
#### Lock color choices:

Metal, Clear Anodized, Black Painted, or White Painted.

### Sill Detail



### Hinge Panels Extension or Trolley Panels



### Handle Options

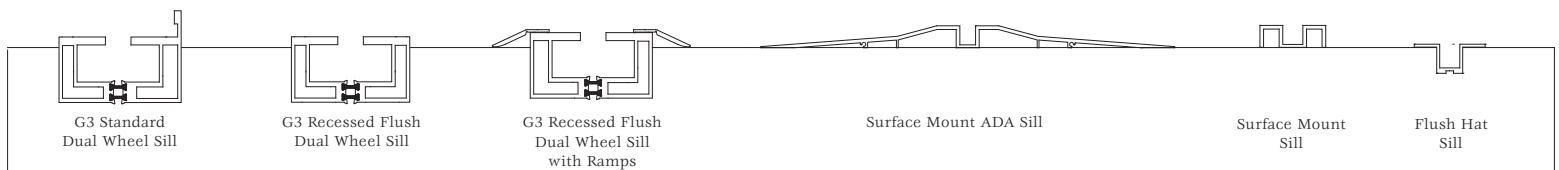


Pull Handle with Guard

#### Handle color choices:

Clear Anodized, Dark Bronze Anodized, White Painted, or Bronze Painted  
**Custom Colors Available\***

### Sill Options



G3 Standard Dual Wheel Sill

G3 Recessed Flush Dual Wheel Sill

G3 Recessed Flush Dual Wheel Sill with Ramps

Surface Mount ADA Sill

Surface Mount Sill

Flush Hat Sill

\*Additional Charges Apply

Please Note: All hardware is subject to vendor availability. Solar Innovations, Inc. reserves the right to discontinue any hardware option at any time.

[www.solarinnovations.com](http://www.solarinnovations.com)

