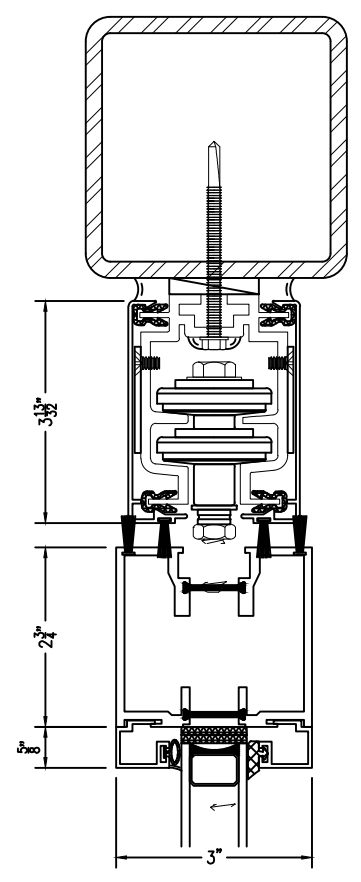
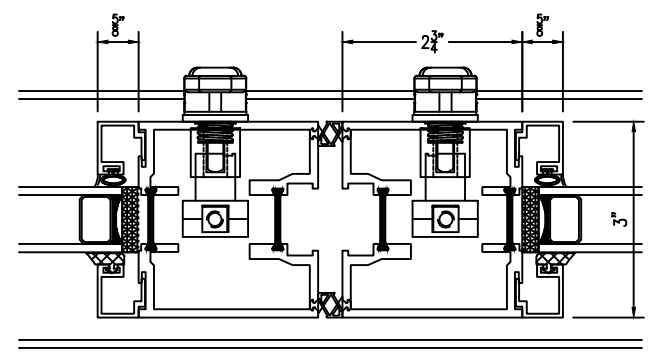


H3353

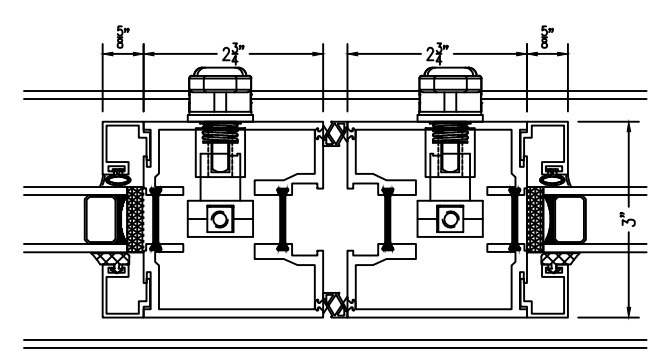


"EXTERIOR" "INTERIOR"

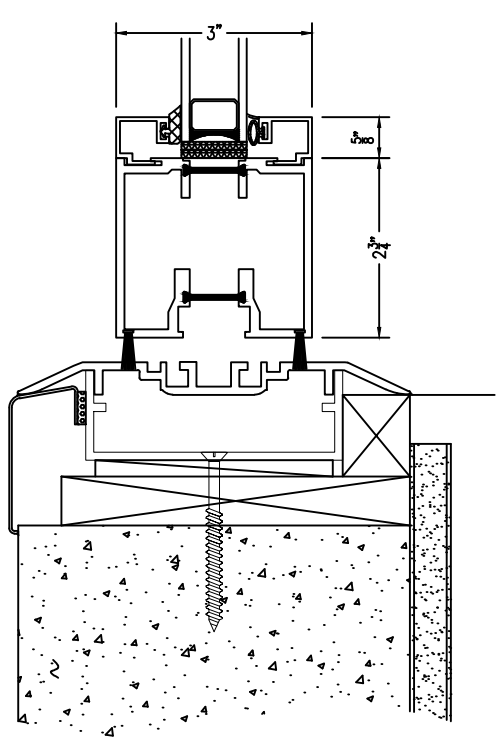


V3353

"INTERIOR"
"EXTERIOR"

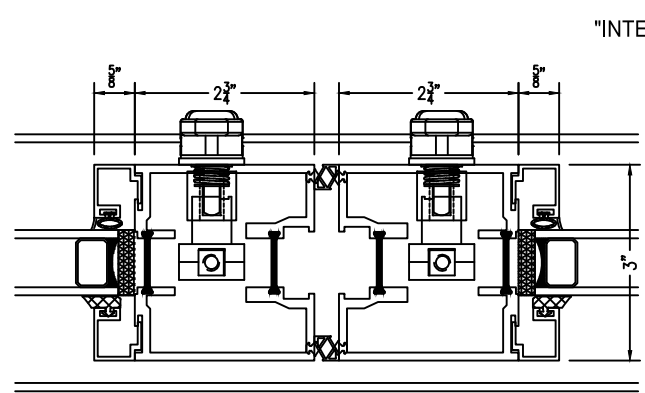


V3354



RECESSED SILL W/ ADJUSTABLE RAMPS

H3354

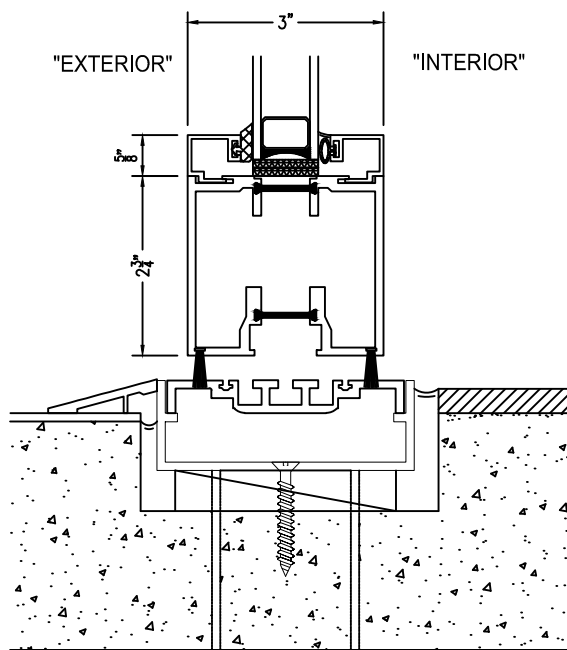


V3355

"INTERIOR"
"EXTERIOR"

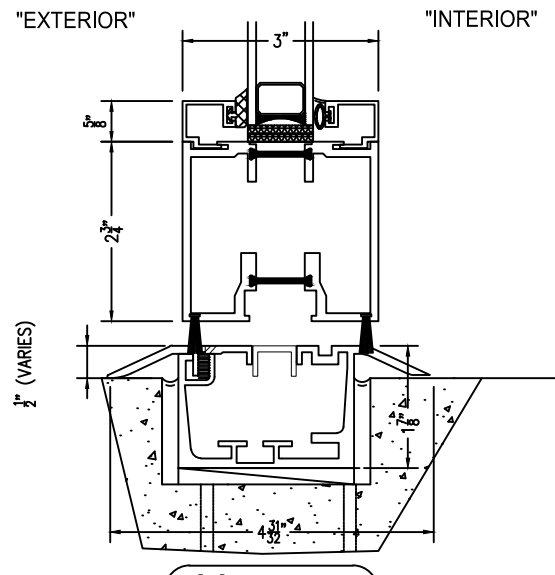
DETAIL NAME:	STACKING
BLOCK NAME:	
APPROVED BY:	APPROVAL DATE:
DRAWN BY: AJM	REVISED BY:
DRAWING DATE:	REVISION DATE:

"© Copyright 2012 Solar Innovations, Inc. All Rights Reserved. These drawings are applicable only to the product specified herein, are the exclusive sole property of Solar Innovations, Inc., and are considered both confidential and proprietary. Any use of the information, design or drawings contained herein for any purpose whatsoever without the expressed written consent of a Solar Innovations, Inc. authorized individual is forbidden."



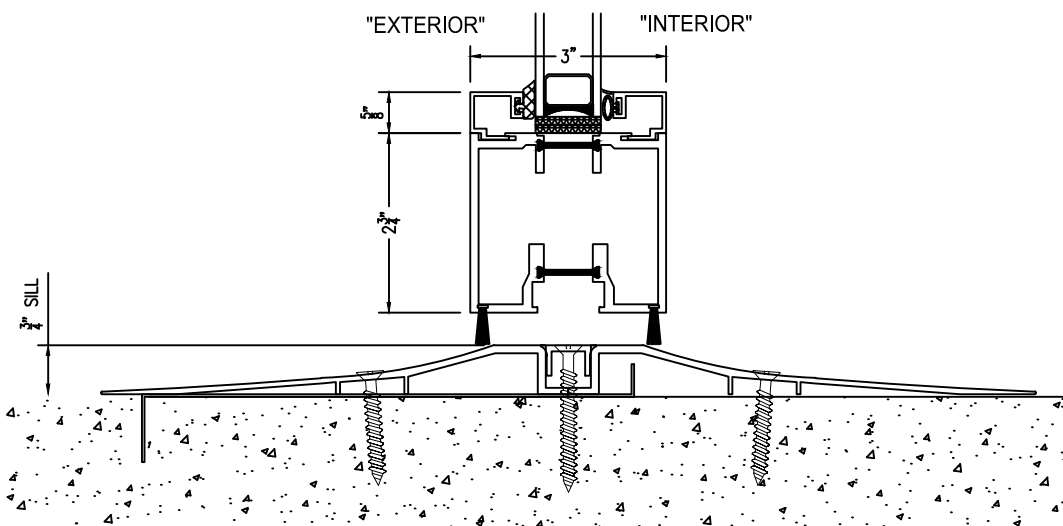
TANK SILL W/ "RIPPED" SILL COVER BASE

H3255



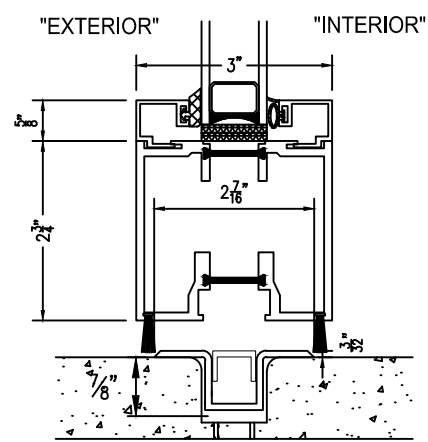
RECESSED SILL W/ ADJUSTABLE RAMPS

H3358



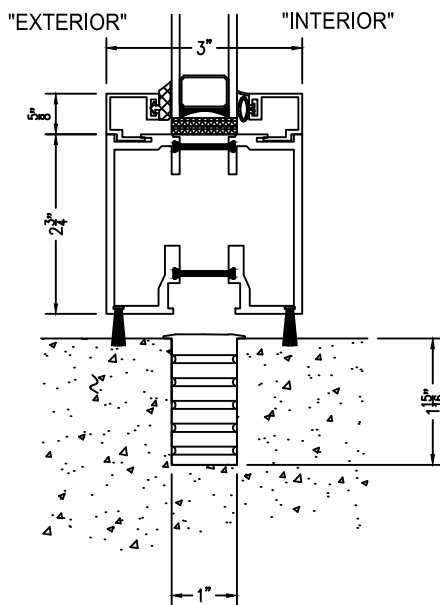
SURFACE MOUNTED ADA SILL

H3256



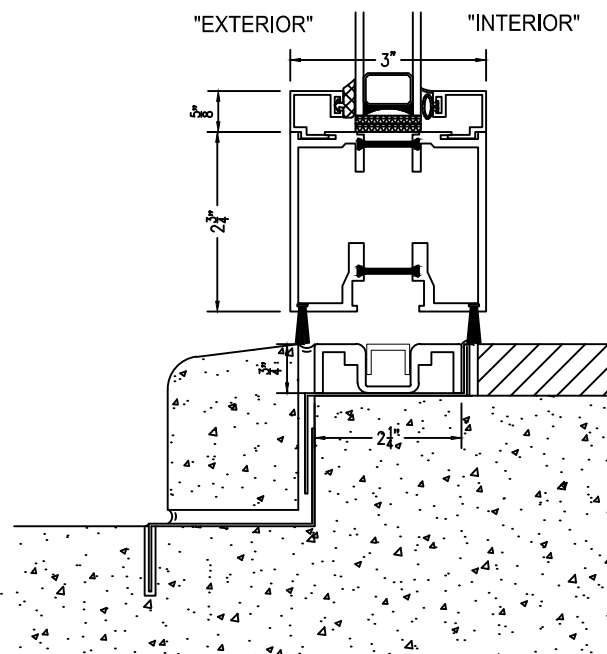
FLUSH SILL

H3359



DUST PROOF STRIKES

H3257



SURFACE MOUNT HAT SILL

H3360

DETAIL NAME: STACKING – SILL OPTIONS

BLOCK NAME:

APPROVED BY:

APPROVAL DATE:

DRAWN BY:

AJM

REVISED BY:

DRAWING DATE:

REVISION DATE:

"© Copyright 2012 Solar Innovations, Inc. All Rights Reserved. These drawings are applicable only to the product specified herein, are the exclusive sole property of Solar Innovations, Inc., and are considered both confidential and proprietary. Any use of the information, design or drawings contained herein for any purpose whatsoever without the expressed written consent of a Solar Innovations, Inc. authorized individual is forbidden."