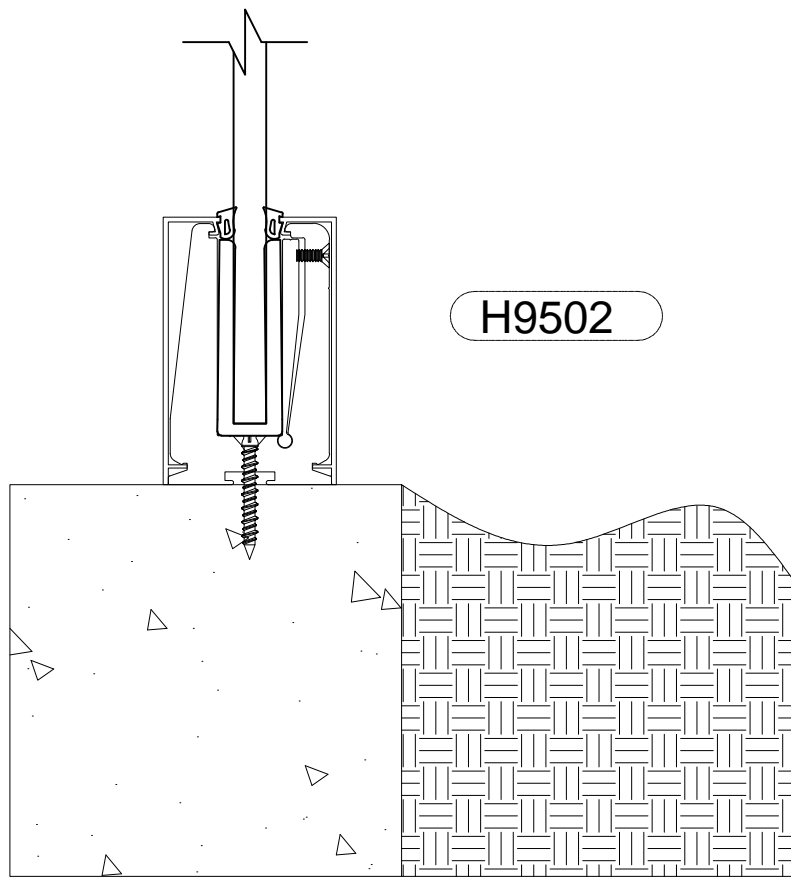


H9501



H9502

DETAIL NAME:	GLASS HAND RAILING
BLOCK NAME:	
APPROVED BY:	APPROVAL DATE:
DRAWN BY:	AJM REVISD BY:
DRAWING DATE:	REVISION DATE: