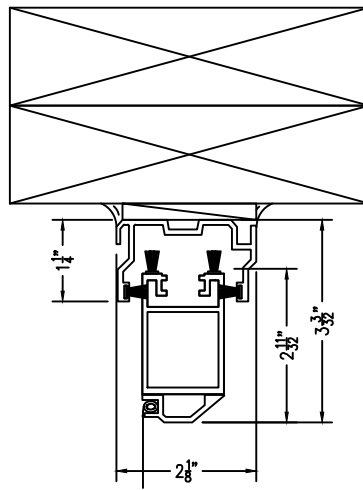
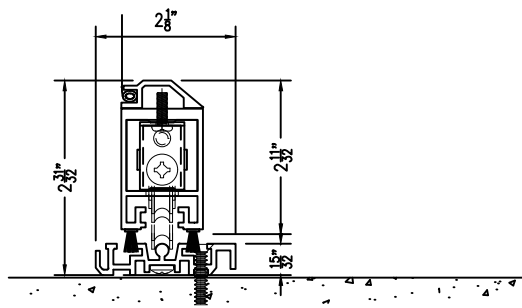


H1101



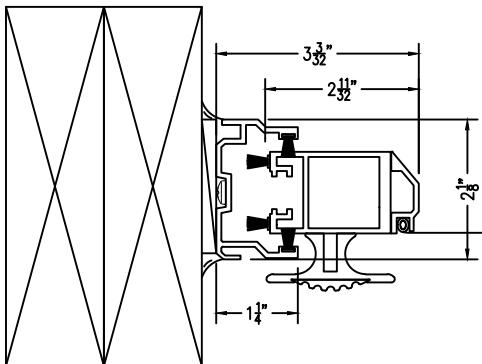
"EXTERIOR"

"INTERIOR"

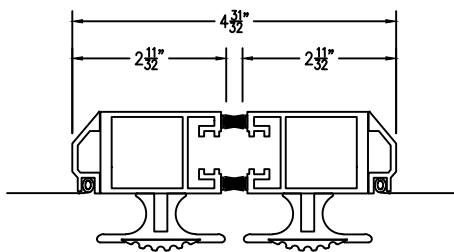


H1102

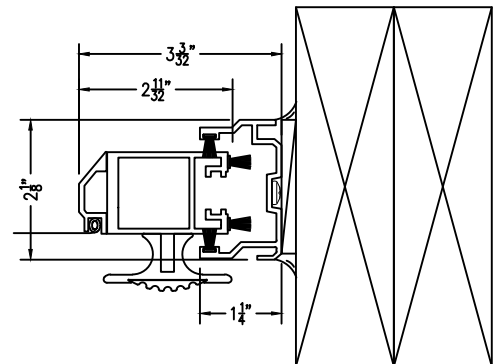
"INTERIOR"



V1101



V1102



V1103

"EXTERIOR"

DETAIL NAME:	FIXED REMOVABLE – SCREENS
BLOCK NAME:	
APPROVED BY:	APPROVAL DATE:
DRAWN BY:	AJM REVISED BY:
DRAWING DATE:	REVISION DATE: